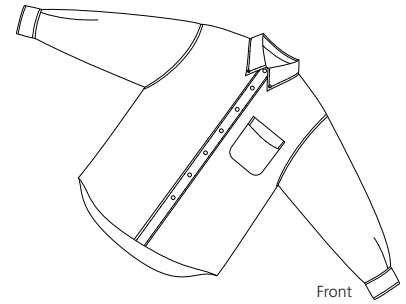
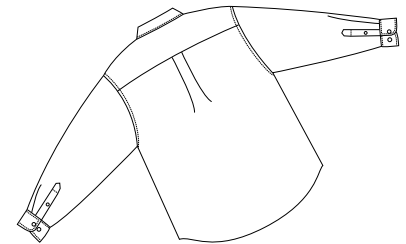


# Long Sleeve Twill Shirt

PORT AUTHORITY®



Front



Back

## S600T

- \* 5-ounce \* 100% cotton twill \* Garment washed \* Double-needle stitched
- \* Button-down collar \* Patch pocket \* Back pleat
- \* Button-through sleeve plackets \* Adjustable cuffs

### Care Instructions:

Machine wash cold with like colors.  
Do not bleach. Do not dry clean.  
Tumble dry low. Warm iron if necessary.

### Finished Measurements in Inches

Size	XS	S	M	L	XL	2XL	3XL	4XL	5XL	6XL
Collar	15.5	16	16.5	17	17.5	18	18.5	19	not available	not available
Width	20	21.5	23	24.5	26	27.5	29	30.5	35.5	37
Length	26.5	28.5	32	32.5	34	34.5	35.5	36	36.5	37
Sleeve	31	32.5	34.5	35.5	37	38	39	40	41	42
Pocket	5/5.5	5/5.5	5.75/6	5.75/6	5.75/6	5.75/6	6/6.25	6/6.25	6/6.25	6/6.25

Collar measured by circumference. Chest width measured 1" below arm hole. Pocket WxH.  
Body length measured from back neck seam to hem. Sleeve length measured from center back to hem.

### Colors

	Athletic Gold
	Black
	Bright Burgundy
	Classic Navy
	Faded Blue
	Faded Olive
	Khaki
	Orange
	Purple
	Stone
	White

### Color Chart

Colors	Athletic Gold	Black	Bright Burgundy	Classic Navy	Faded Blue	Faded Olive
Textile PMS	15-1054TC	19-4203TC	19-1656TC	19-4010TC	18-3945TC	18-0510TC
General PMS	137C	Process Black	194C	532C	7455C	417C
Colors	Khaki	Orange	Purple	Stone	White	
Textile PMS	17-1107TC	17-1464TC	19-3731TC	14-4501TC	11-0601TC	
General PMS	403C	1665C	669C	7529C	No Match	

### Please Note:

Colors shown are approximate and for reference only. For closest match see PMS colors, or for exact match, returnable samples and grommeted samples are available.